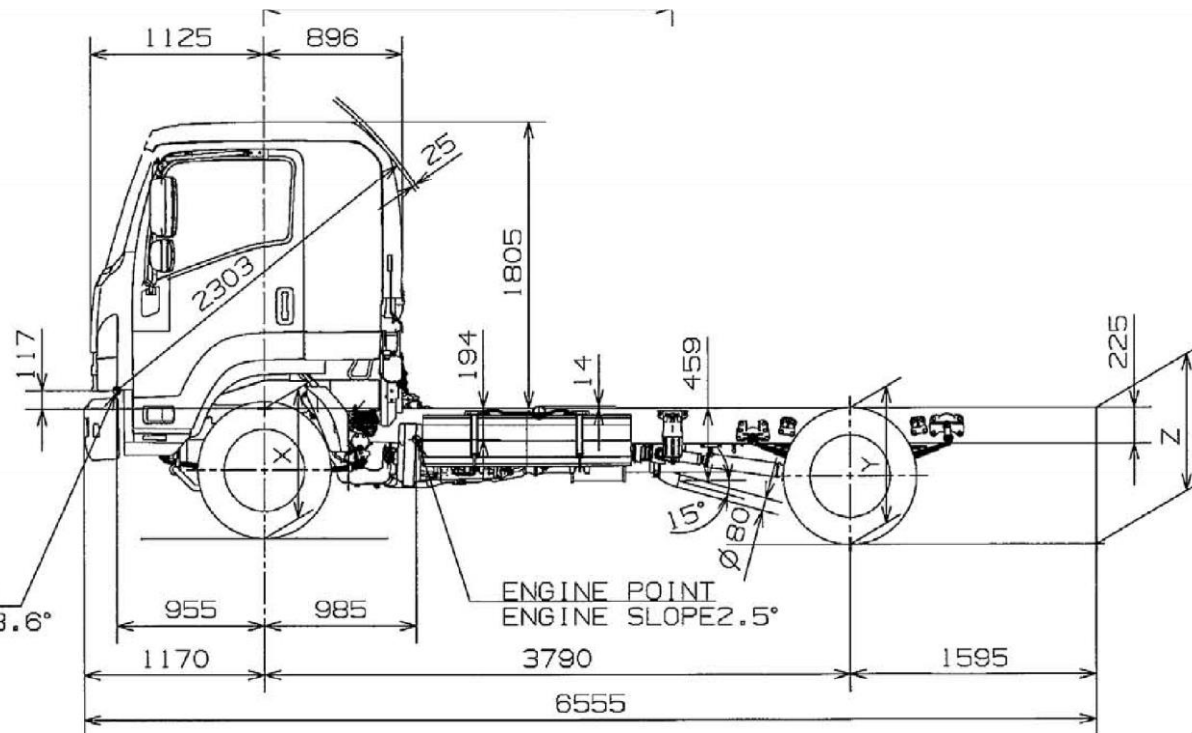
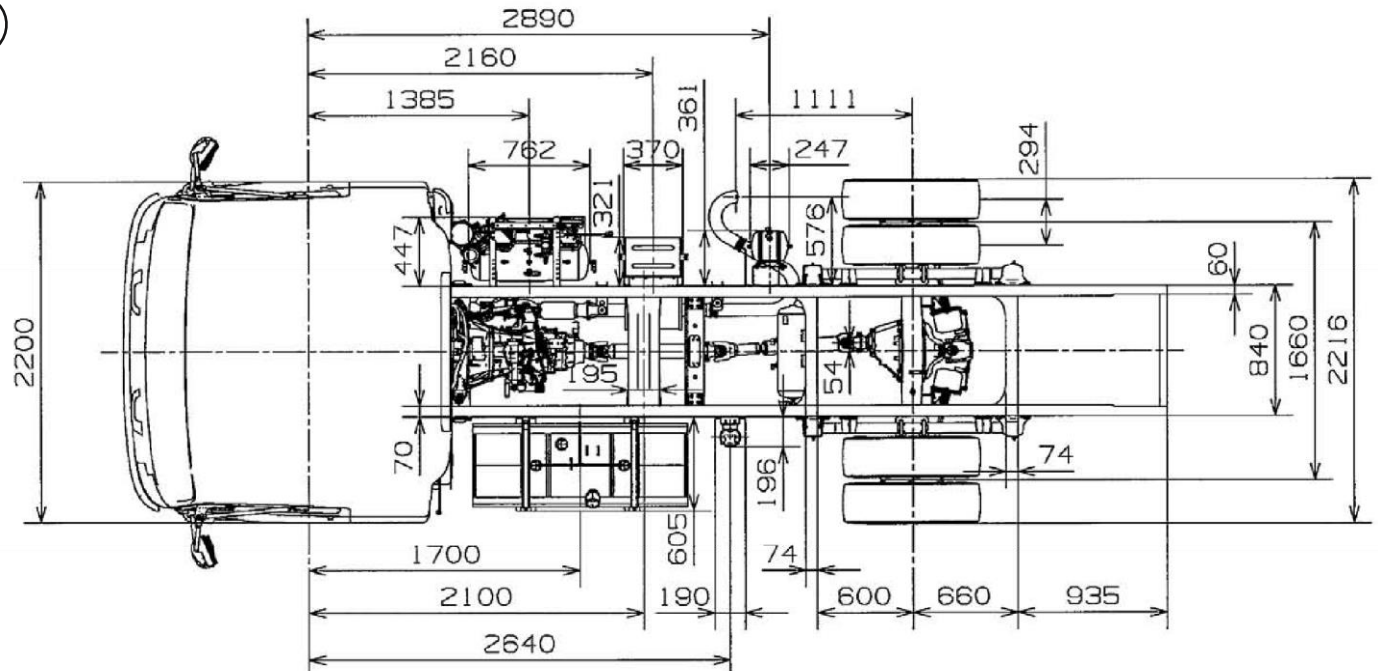


FSR-800 SWB

CHASSIS CAB DRAWINGS



HH – REAR GROUND CLEARANCE
200 mm

EH – CHASSIS REAR END HEIGHT
895 mm

TILT CENTER
TILT ANGLE 43.6°

www.isuzu.co.za f t

ISUZU
With you, for the long run