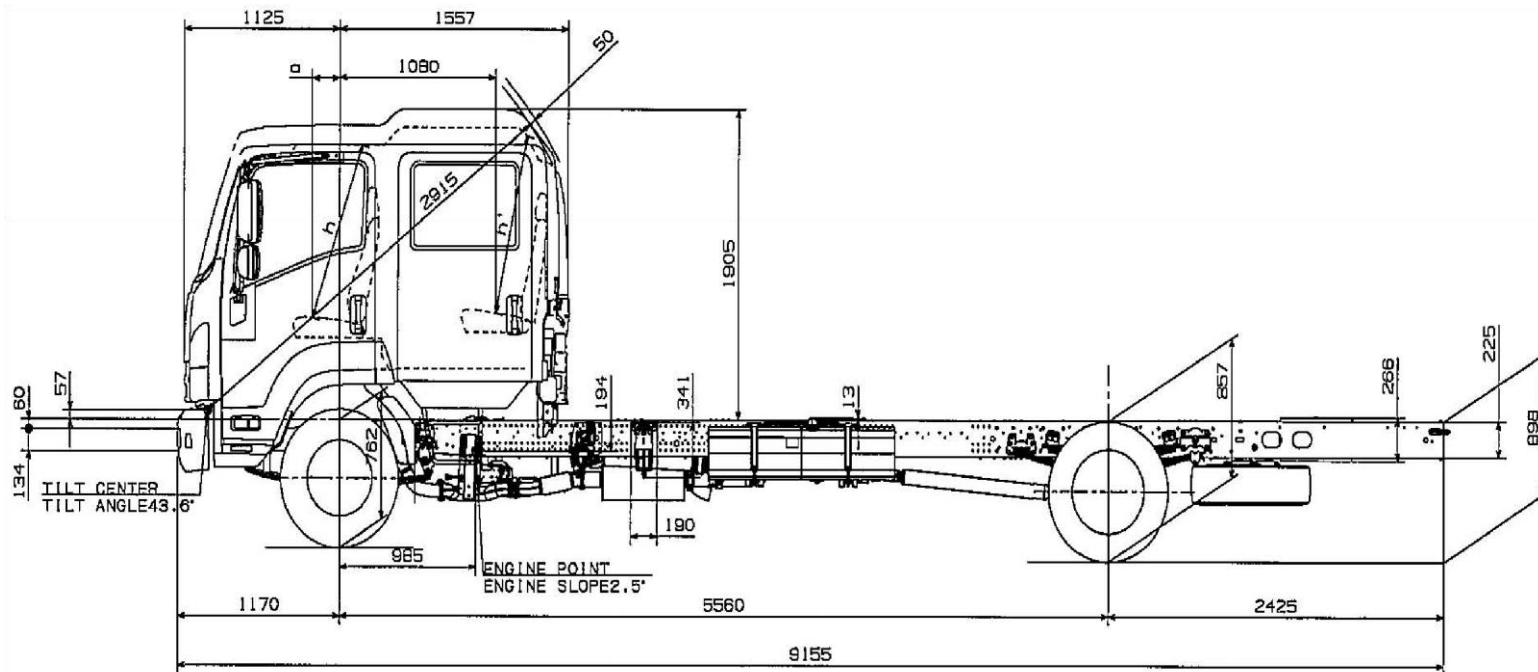
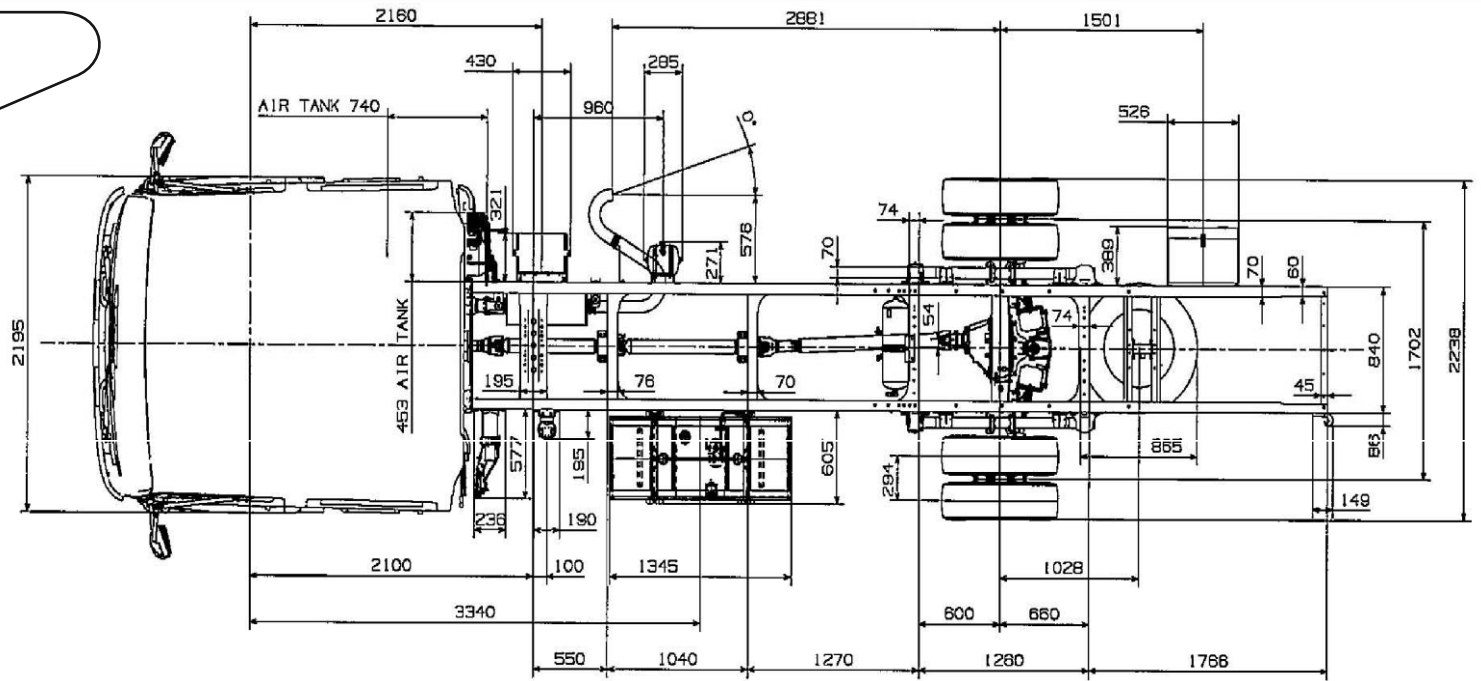


# FSR-750 Crew Cab

## CHASSIS CAB DRAWINGS



**HH – REAR GROUND CLEARANCE**

200 mm

**EH – CHASSIS REAR END HEIGHT**

895 mm

www.isuzu.co.za  

# ISUZU

*With you, for the long run*